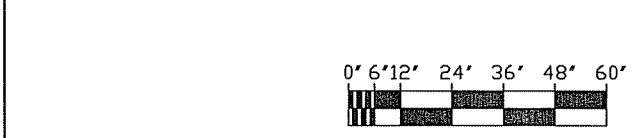
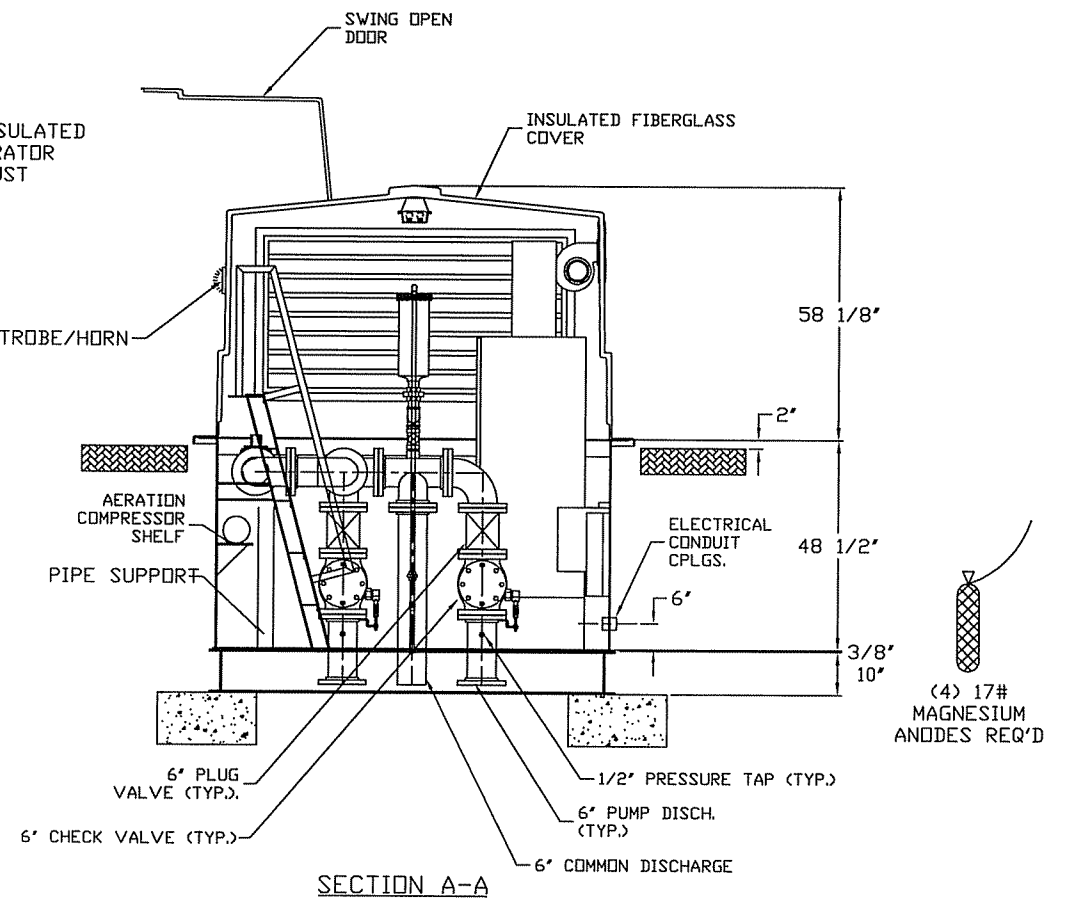


PAINT REQUIREMENTS
 STEEL SURFACES
 APPLY 8 MILS EPOXY PAINT

- CONDUITS REQUIRED**
 3 1/2" ELECTRICAL SERVICE
 (2) 1" SPARE
 3/4" EXTERNAL ALARM
- WATERTIGHT CONDUIT FITTINGS**
 MUST BE INSTALLED BY ELECTRICAL CONTRACTOR, TO PREVENT GROUND WATER FROM ENTERING THE STATION.
- COUPLINGS REQUIRED**
 (2) 1 1/2" PUMP POWER
 (2) 3/4" PUMP ALARM
 (4) 1/2" CATHODIC PROTECTION
 (4) 1/2" FLOAT
 1/2" TRANSDUCER



NOTE:
 PIPE EXTERNAL TO STATION MUST BE INDEPENDENTLY SUPPORTED.

REV. NO.	REVISION	BY CHK'D	DATE	DESIGNED BY:	DATE
				DRAWN BY:	DATE
				DS	11/6
				CHECKED BY:	DATE
				WK	07
				SCALE	

USEMCO

USEMCO INCORPORATED

P.O. BOX 550 (608) 372-5911 TOMAH WI. 54660

DESCRIPTION

PINEY RIVER, VA

DWG. NO. 7205

JOB NO.