

General

MAGDOS solenoid metering pumps can be controlled by mechanical closing contacts or on semiconductor basis, e.g. by optocouplers. If only one contact is available but several metering pumps for different chemicals are to be activated, it is not always possible or allowed to connect several pumps to the same contact because malfunction of one or the other pump may occur in the case of wrong polarity or varying contact voltage.

With the stroke sensor, simple contact multiplication with voltage-free separation is made possible. The stroke sensor is fastened with a self-locking pin between the radiating fins of the MAGDOS DE/DX...12 plastic housing, or in the case of the MAGDOS DE/DX 20...100, is screwed into the housing. A Reed contact registers the magnetic lines of flux emitted during the metering stroke and closes for the duration of the stroke. With the Reed contact, a second pump can be controlled directly. This second pump can again be equipped with a stroke sensor, if required. However, it is also possible to fit one metering pump with up to four stroke sensors.

The stroke sensor can also be used to control counters for the operation of batch processes. When choosing the counter, the technical data of the stroke sensor must be taken into account.

Function

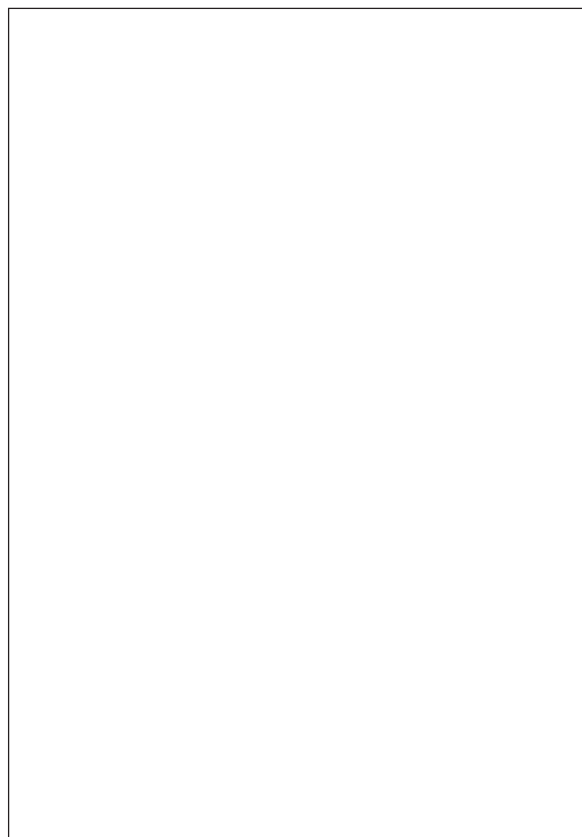
The stray field of the pump drive solenoid activates the Reed contact integrated in the stroke sensor for the duration of the magnetic excitation.

Technical Data

Contact rating : 6 W / 6 VA
 Max. voltage : 50 V DC / 48 V AC
 Max. current : 0,5 A

Note:

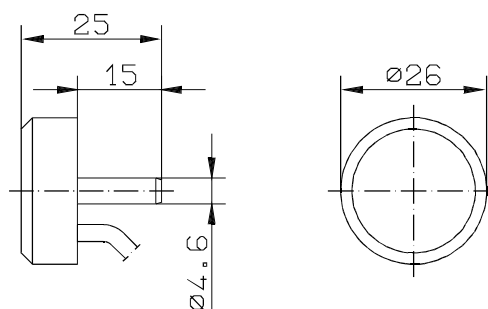
When controlling a solenoid metering pump, the aforementioned values are far from being reached.



Dimensions

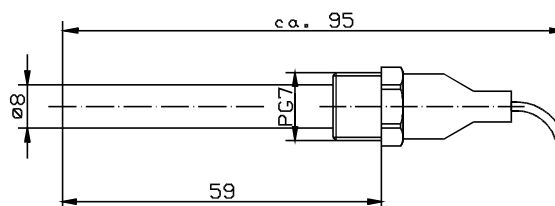
HR-K

Cable length: 2.5 m

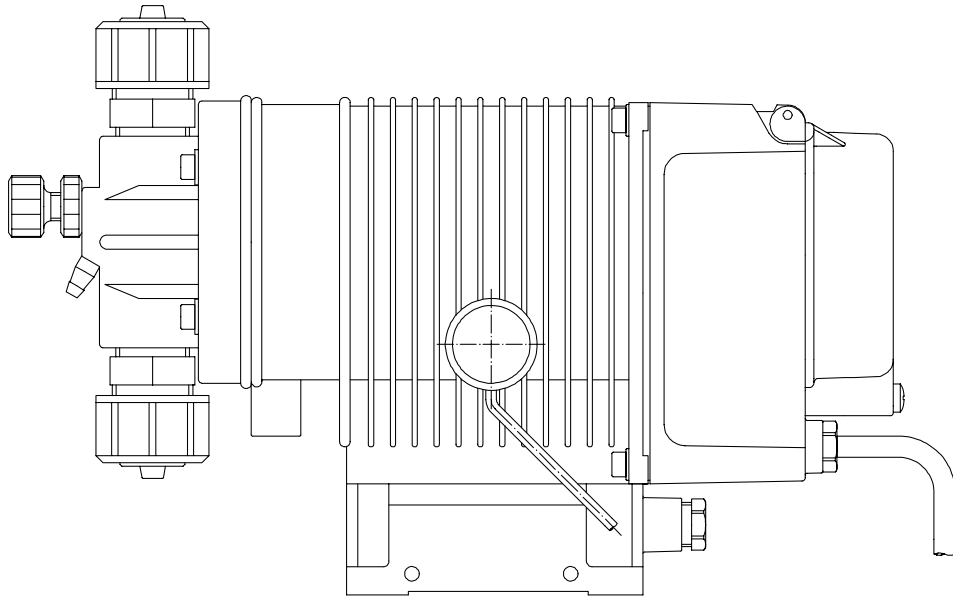


Part - No.: 13234247

HR-M

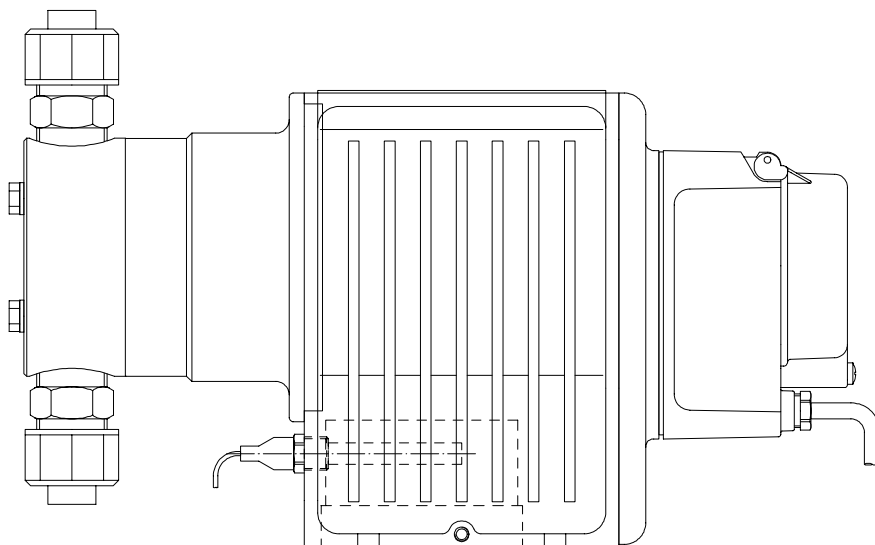


Part - No. 13234557

Installation**MAGDOS DE/DX ...12 with stroke sensor HR-K**

Fit the HR-K stroke sensor between the radiating fins so that the cable comes out vertically - if possible, it should show downwards.

Note: Do not lay cable in parallel to wires carrying load current, e.g. in the same cable conduit. In the case of cable extensions of more than 10 m, use screened cable.

**MAGDOS DE/DX 20...100 with stroke sensor HR-M**

Stroke sensor HR-M are screwed into the PG 7 thread after removing the dummy plug.