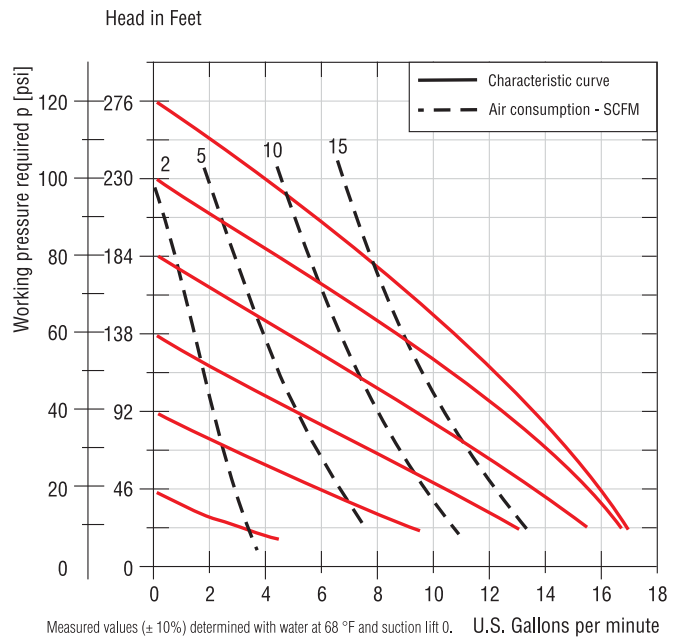
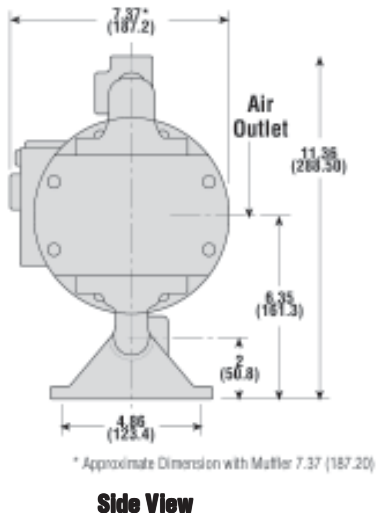
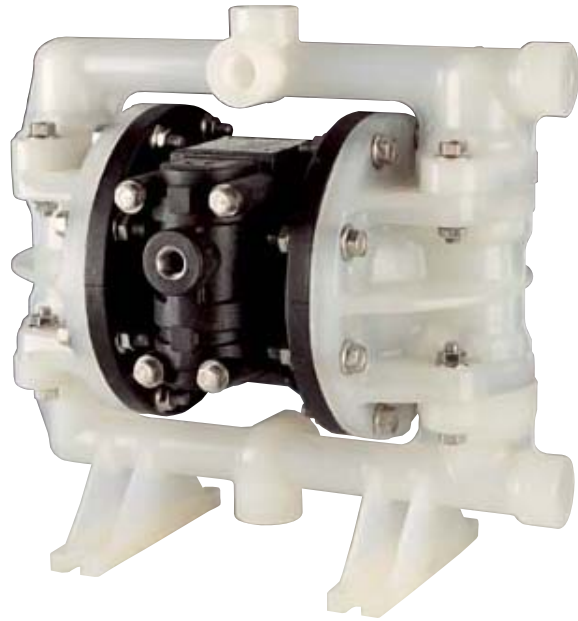
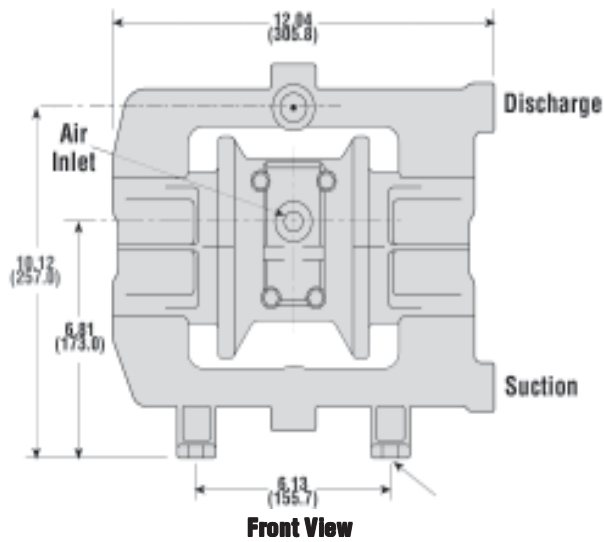


1/2" Bolted Version (non-metallic)



Dimensions in inches and (mm).

Operating data / Dimensions / Weights			
	1/2" PP	1/2" Kynar®	1/2" Nylon
Housing material	Polypropylene	Kynar®	Nylon
Diaphragm materials	Geolast®, Santoprene®, Teflon®, Viton®	Teflon, Santoprene®/EPDM and Viton®	Geolast®, Teflon®
Valve ball materials	Geolast®, Santoprene®, Teflon®, Viton®	Teflon, Santoprene®/EPDM and Viton®	Geolast®, Teflon®
Seals	Geolast®, Santoprene®, Teflon®, Viton®	Teflon, Santoprene®/EPDM and Viton®	Geolast®, Teflon®
Valve seat	PP	Kynar®	Nylon
Flow rate	17.2 gpm	17.2 gpm	17.2 gpm
Volume per stroke*	.025 gal/stroke	.025 gal/stroke	.025 gal/stroke
Suction dry lift	14.7 ft	14.7 ft	14.7 ft
Suction lift Teflon®	9.8 ft	9.8 ft	9.8 ft
Operating pressure	max 120 PSI	max 120 PSI	max 120 PSI
Temperature limits	150 °F	200 °F	150 °F
Solids handling	max ∅ 0.12 inches	max ∅ 0.12 inches	max ∅ 0.12 inches
Air inlet	1/4" NPT female	1/4" NPT female	1/4" NPT female
Air outlet	3/8" NPT female	3/8" NPT female	3/8" NPT female
Suction	1/2" NPS female	1/2" NPS female	1/2" NPS female
Discharge	1/2" NPS female	1/2" NPS female	1/2" NPS female
Weight	9 lbs	12 lbs	9 lbs

*Based on flooded suction conditions with water and 100 psi air pressure.

Type	Materials of construction		Part No.
	Housing	Diaphragm, Valve Balls, Seals	
1/2" PPB PP/Geolast®	PP	Geolast®	LJPG-B1/2
1/2" PPE PP/Santoprene®	PP	Santoprene®	LJPE-B1/2
1/2" PPT PP/Teflon®	PP	Teflon®	LJPT-B1/2
1/2" PPV PP/Viton®	PP	Viton®	LJPV-B1/2
1/2" NB Nylon/Geolast®	Nylon	Geolast®	LJNG-B1/2
1/2" NT Nylon/Teflon®	Nylon	Teflon®	LJNT-B1/2
1/2" NTC Nylon/Teflon®*	Nylon	Teflon®	LJCT-B1/2
1/2" KNT PVDF/Teflon®	Kynar®	Teflon®	LJKT-B1/2
1/2" NV Nylon/Viton	Nylon	Viton	LJNV-B1/2
1/2" CGI Nylon/Geolast/Nitrile**	Conductive Nylon	Geolast®/Nitrile	LJCGI-B1/2
1/2" CV Nylon/Viton**	Conductive Nylon	Viton®	LJCV-B1/2
1/2" KE Kynar/Santoprene	Kynar®	Santoprene®	LJKE-B1/2
1/2" KT Kynar/Teflon	Kynar®	Teflon®	LJKT-B1/2

*conductive version Ex II 2G CT4

** conductive nylon

Material description

Geolast® = NBR/PP compound
 Kynar® = PVDF = Polyvinylidene fluoride
 Nylon = PA = Polyamide-compound
 Polypropylene = PP
 Santoprene® = EPDM/PP-compound
 Teflon® = PTFE = Polytetrafluorethylene
 Viton® = FPM = Fluoro Elastomer
 Urethane = PUR

Typical application

200 l-drum pumping, ink recirculation and feed, chemicals, solvents, acids, soap dispensing

Teflon® and Viton® are registered Trademarks of DuPont Company. Kynar® is a registered Trademark of Penwalt Corp. Santoprene® is a registered Trademark of Monsanto Company. Geolast® is a registered Trademark of Advanced Elastomer Systems.