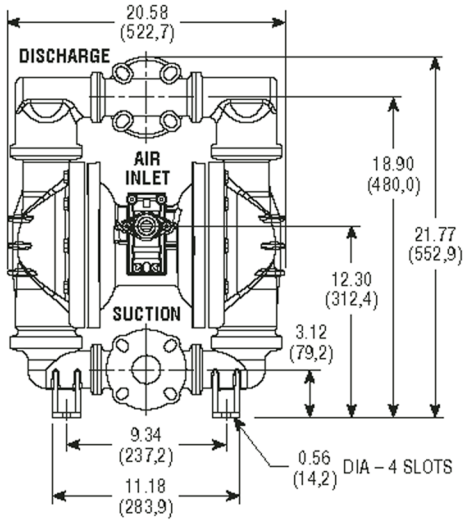
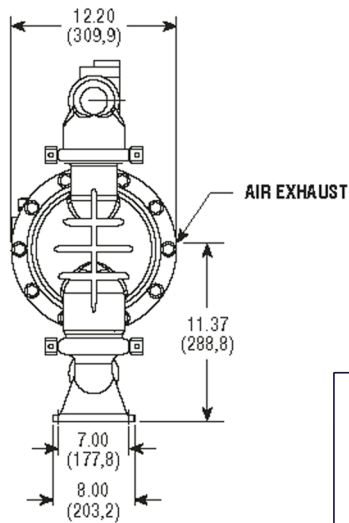


1.5" Bolted Version (non-metallic)



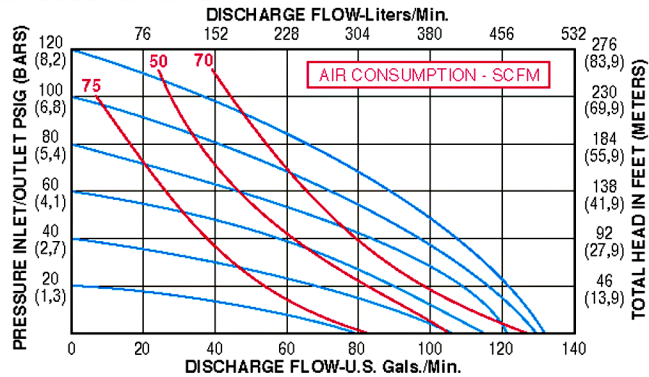
Front View



Side View



PERFORMANCE CURVE



Dimensions in inches and (mm).

Operating Data/Dimensions/Weights

	1.5" PP	1.5" PVDF
Housing material	Polypropylene	PVDF
Diaphragm materials	Geolast®, Santoprene®, Teflon®, Viton®	Teflon®, Santoprene®, Viton®
Valve ball materials	Geolast®, Santoprene®, Teflon®, Viton®	Teflon®, Viton®
Seals	Geolast®, Santoprene®, Teflon®, Viton®	Teflon®, Viton®
Valve seat	PP	PVDF
Flow rate	0 - 130 gpm	0 - 130 gpm
Volume per stroke*	.083 gal/stroke	.083 gal/stroke
Suction lift dry	15 ft	15 ft
Suction lift Teflon®	10 ft	10 ft
Operating pressure	max. 120 PSI min. 20 PSI	max. 120 PSI min. 20 PSI
Temperature limits	150 °F	150 °F
Solids handling	max ∅ 0.24 inches	max ∅ 0.24 inches
Air inlet	3/4" NPT/BSP female	3/4" NPT/BSP female
Air outlet	3/4" NPT/BSP female	3/4" NPT/BSP female
Suction	1.5" DIN/ANSI Flange	1.5" DIN/ANSI Flange
Discharge	1.5" DIN/ANSI Flange	1.5" DIN/ANSI Flange
Weight	46 lbs	65 lbs

*Based on flooded suction conditions with water and 100 psi air pressure.

Materials

Type	Materials of Construction		Part No.
	Housing	Diaphragm, Valve Balls, Seals	
1.5" PPB PP/Geolast®	PP	Geolast®	
1.5" PPE PP/PTFE	PP	PTFE	
1.5" PPE PP/Santoprene®	PP	Teflon®	
1.5" PPT PVDF/PTFE	PVDF	PTFE	
1.5" PPV PVDF/Santoprene®	PVDF	Santoprene®	

Note; Maximum inlet pressure: 84' of head

*Compliant to ATEX 94/9/EC regulations

Material description

Geolast® = NBR/PP compound
 Kynar® = PVDF = Polyvinylidene fluoride
 Polypropylene = PP
 Santoprene® = EPDM/PP-compound
 Teflon® = PTFE = Polytetrafluorethylene
 Viton® = FPM = Fluoro Elastomer

Typical application

Drum and small tank transfer, pickling solutions, chemical feed

Teflon® and Viton® are registered Trademarks of DuPont Company. Kynar® is a registered Trademark of Penwalt Corp. Santoprene® is a registered Trademark of Monsanto Company. Geolast® is a registered Trademark of Advanced Elastomer Systems.