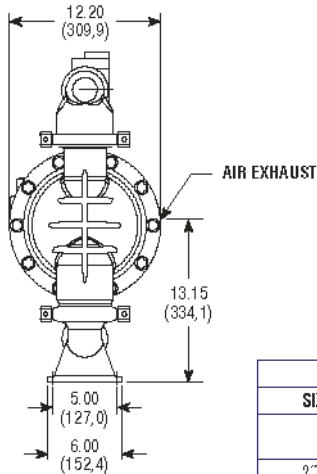
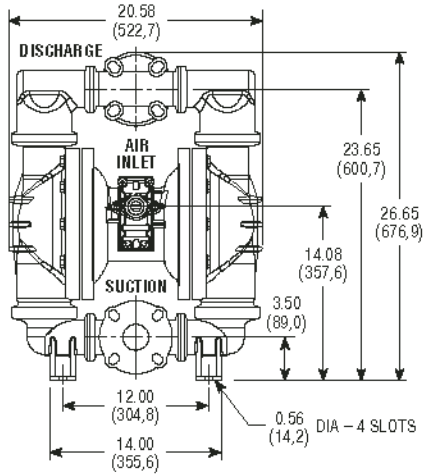
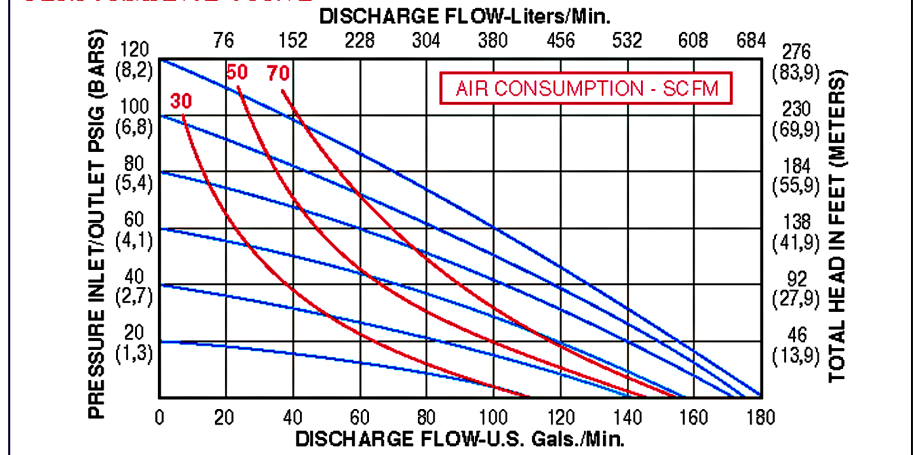


## 2" Bolted Version (non-metallic)



MODEL	DIMENSIONS Inches / (mm)										
SIZE (Inlet/Outlet)	A	B	C	D	E	F	G	J	K	L	M
2" Aluminum NPT & BSP	19.50 (495,0)	26.26 (667,0)	25.04 (636,0)	13.86 (352,0)	2.25 (57,1)	10.06 (255,5)	12.00 (304,8)	12.20 (309,9)	5.00 (127,0)	6.00 (152,4)	12.90 (327,6)
2" Stainless Steel NPT & BSP	19.50 (495,0)	24.62 (625,3)	23.00 (584,2)	15.05 (382,3)	3.50 (89,0)	12.00 (304,8)	13.85 (351,5)	12.20 (309,9)	5.00 (127,0)	6.00 (152,4)	14.10 (358,1)
Metal Flange Optional 2" Flange	19.50 (495,0)	24.62 (625,3)	21.62 (549,2)	13.25 (336,6)	3.50 (89,0)	12.00 (304,8)	13.85 (351,5)	11.88 (301,8)	5.00 (127,0)	6.00 (152,4)	12.75 (324,0)

### PERFORMANCE CURVE



Dimensions in inches and (mm).

**Operating Data/Dimensions/Weights**

	<b>2" PP</b>	<b>Kynar®</b>
Housing material	Polypropylene	Kynar®
Diaphragm materials	Geolast®, Santoprene®, Teflon®	Teflon®
Valve ball materials	Geolast®, Santoprene®, Teflon®	Teflon®
Seals	Geolast®, Santoprene®, Teflon®	Teflon®
Valve seat	PP	Kynar®
Flow rate	0 - 180 gpm	0 - 180 gpm
Volume per stroke*	.480 gal/stroke	.480 gal/stroke
Suction lift dry	15 ft	15 ft
Suction lift Teflon®	10 ft	10 ft
Operating pressure	max. 120 PSI min. 20 PSI	max. 120 PSI min. 20 PSI
Temperature limits	150 °F	200 °F
Solids handling	max ∅ 0.25 inches	max ∅ 0.25 inches
Air inlet	3/4" NPT/BSP female	3/4" NPT/BSP female
Air outlet	3/4" NPT/BSP female	3/4" NPT/BSP female
Suction	2" DIN/ANSI Flange	2" DIN/ANSI Flange
Discharge	2" DIN/ANSI Flange	2" DIN/ANSI Flange
Weight	48 lbs	69 lbs

\*Based on flooded suction conditions with water and 100 psi air pressure.

**Materials**

Type	Materials of Construction		Part No.
	Housing	Diaphragm, Valve Balls, Seals	
2" PPB Polypropylene/Geolast®	PP	Geolast®	LJPG-B2
2" PPT Polypropylene/Teflon®	PP	Teflon®	LJPT-B2
2" PPE Polypropylene/Santoprene®	PP	Santoprene®	LJPE-B2
2" KNT PVDF/Teflon®	PVDF	Teflon®	LJKT-B2
2" KNE PVDF/Santoprene®	PVDF	Santoprene®	LJKE-B2

Note; Maximum inlet pressure: 84' of head

\*Compliant to ATEX 94/9/EC regulations

**Material description**

Geolast® = NBR/PP compound  
 Kynar® = PVDF = Polyvinylidene fluoride  
 Polypropylene = PP  
 Santoprene® = EPDM/PP-compound  
 Teflon® = PTFE = Polytetrafluorethylene

**Typical application**

Paint, latex, ceramic slip, slurries, polymers, tank car fill and empty, foods

Teflon® and Viton® are registered Trademarks of DuPont Company. Kynar® is a registered Trademark of Penwalt Corp. Santoprene® is a registered Trademark of Monsanto Company. Geolast® is a registered Trademark of Advanced Elastomer Systems.